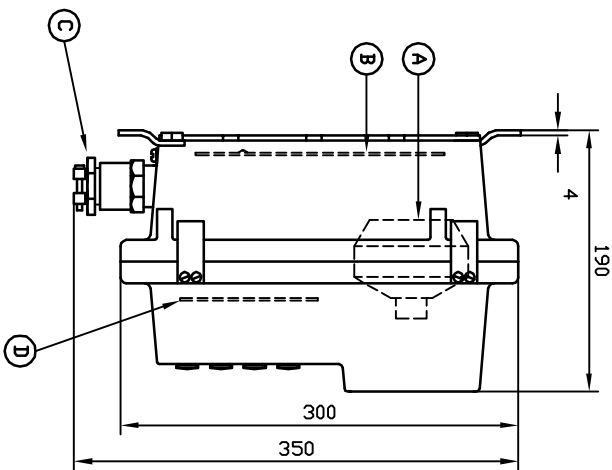
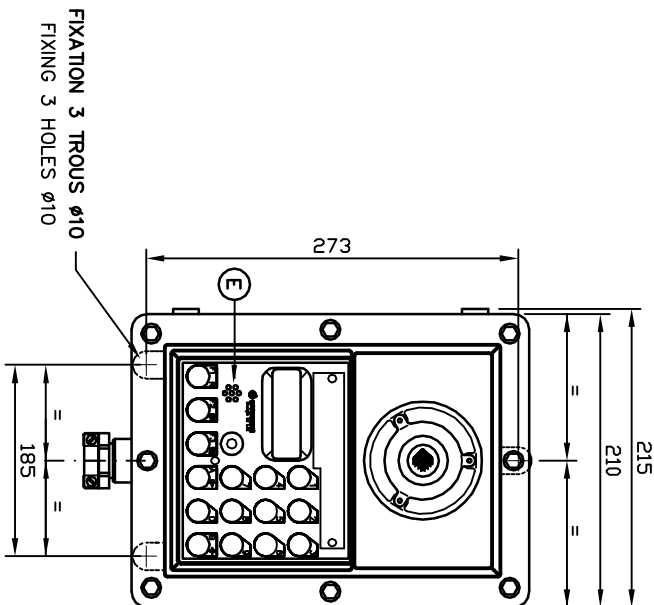
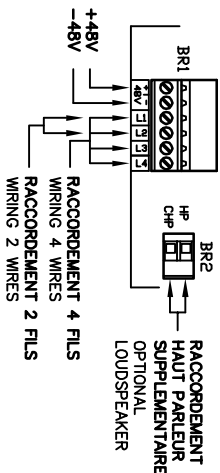


**ENCOMBREMENT
DIMENSIONS**



RACCORDEMENT
(sur carte mere WK234U2G2)
WIRING
(on mother card WK234U2G2)



CONSTRUCTEUR	SYSCOM	34/36 R. Roger SALENGRO F94134 FONTENAY/BOIS
MATIERE:	UNI2G	EXECUTION:
POSTE CHEF A.D.F 10 DU 100 DIRECTIONS	TYPE MURAL "EExdIIBT6" I12G	10 OR 100 LINES EXPLOSIONPROOF MASTER STATION
DATE:	REV:	ETABL:
DATE:	REV:	ETABL:

14/04/84	B	H. F.	RESE A JOUR SUITE AGR. ATEX																	
08/03/99	A	H. F.	RESE A JOUR SUITE AGR. ATEX																	
DATE:	REV:	ETABL:	MODIFICATIONS	VERIFIE	APPROUVE															
DATE:	REV:	ETABL:	Revisions	Checked	Approved															

DESCRIPTION CARTER CONSTITUE D'UNE BOITE ET D'UN COUVERCLE EN METAL LEGER PROTEGE PAR PEINTURE EPOXY PGI3. LA FERMETURE DU COUVERCLE A CHARNIERS SEFFECTUE PAR 8 VIS CHC M8X20 EN ACIER INOX, TETES NOYEEES DANS UNE ALVEOLE.

CE CARTER COMPREND:

- (A) 1 MOTEUR A CHAMBRE COMPRESSION 15W CE225V7
- (B) 1 CARTE UNIVERSAL 2/4 FILS 15 WATTS WK234U2G2
- (C) 1 ENTREE POUR CABLE Ø SUR GAINÉ 5 MINI A 12 MAXI EGM8ATX
- (D) 1 CARTE CLAVIER UNI2G WK133CLG
- (E) 1 MICROPHONE ELECTRET CE515V2

REFERENCE: TLH214AG (10 DIRECTIONS) **POIDS:** 8.3 Kg

REFERENCE: TLH214AGT (100 DIRECTIONS) **SCHEMA DE PRINCIPE:** SP234U2G+SP133CLG

ATTESTATION CE DE TYPE POUR LE GROUPE EXdIIBT6 - I12G - INERIS 03ATEX0238X CONFORME AUX NORMES EN 53514 ET 518 ET A LA DIRECTIVE ATEX 94/9/CE

PLAN D'AGREMENT TLH21444 ACE PL.1 A 3

DESCRIPTION CASING CONSISTING OF A BOX AND COVER OF LIGHT ALLOY PROTECTED BY EPOXY PAINT PGI3. THE HINGED COVER IS CLOSED BY 8 SCREWS CHC M8X20 IN STAINLESS STEEL WITH HEAD EMBEDDED IN A RECESS.

THIS CASING INCLUDES:

- (A) 1 LOUDSPEAKER'S MOTOR CE225V7
- (B) 1 MOTHER CARD UNI2G WK234U2G2
- (C) 1 CABLE GLAND FOR CABLE Ø ON SHEATH 5 MINI 12 MAX EGM8ATX
- (D) 1 KEYBOARD CARD WK133CLG
- (E) 1 ELECTRET MICROPHONE CE515V2

REFERENCE: TLH214AG (10 LINES) **WEIGHT:** 8.3 Kg

REFERENCE: TLH214AGT (100 LINES) **CIRCUIT DIAGRAM:** SP234U2G+SP133CLG

CERTIFICATION OF THIS TYPE FOR GROUP EXdIIBT6 - I12G - INERIS 03ATEX0238X CONFORMS TO STANDARDS EN 53514 AND 518 AND ATEX DIRECTIVE 94/9/CE

APPROVAL PLAN TLH21444 ACE PL.1 A 3